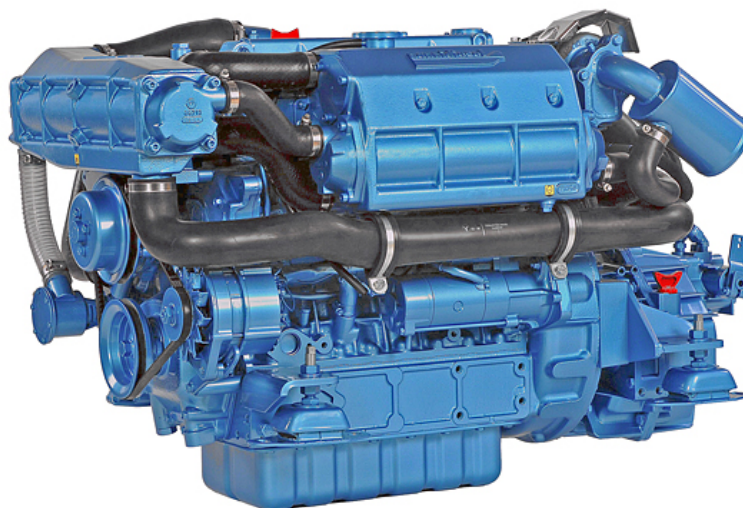


N4.115

Specifications



Power at crankshaft	84.6 kW [115 hp]	Engine base	Kubota
Displacement	3.769 l [230 in ³]	Fuel system	Mechanical direct injection
Configuration	4 cylinders in line 4 valves per cylinder	Air intake	Turbocharged with intercooler
Operation type	4 stroke Diesel	Cooling	Closed cooling with heat exchanger
Bore & Stroke	100 x 120 mm [3.94 x 4.72 in]	Mounting angle	7° Front up 7° Front down
Compression ratio	21.8:1	Alternator	12 Volt 100 Amp
Rated speed	2600 rpm	Rating	M4
Idle speed	825 rpm	Emission compliance	RCD 94/25/EC BSO 2
Peak torque	388 Nm		
Peak torque speed	1600 rpm		
Dry weight with TM345A	378 kg [833 lb]		

N4.115

84.6 kW [115 hp] @ 2600 rpm

TECHNICAL DESCRIPTION

Engine block

- 4 cylinders in line
- 4 valves per cylinder
- Gear-driven valve train
- Watercooled exhaust manifold

Fuel system

- Mechanical governor
- Cam driven in-line injection pump
- Fuel feed pump
- Fuel filter with hand primer

Lubrication system

- Replaceable full-flow oil filter
- Oil dipstick
- Oil drain pump

Cooling system

- Closed cooling with heat exchanger
- Gear driven self-priming raw water pump
- Coolant circulating pump
- Water cooled exhaust elbow

Electrical system & Instrumentation

- 12V Electrical system
- 12V 100A alternator
- Electric starter motor
- Electric stop function
- Instrumentation panel, including Start/Stop, tachometer, coolant temperature & oil pressure indicators, alarms
- Extension cable harness with plug-in connection

Air intake

- Turbocharged with intercooler
- Mounted air cleaner

Other features

- Flexible engine mounting
- Bracket for control cables

Optional equipment & accessories

- Keel cooling adaptation
- Complete marine propulsion systems
- Throttle and shift controls
- Additional instrumentation, Flying bridge extension harness
- 24V 55A alternator
- 24V Electrical system
- Engine mounting adaptation
- Two pole electrical system
- Water boiler systems
- Stuffing box connections
- Complete fuel systems
- Complete exhaust systems
- Trolling valve

RATING

- Up to 3000 annual operating hours
- Load factor up to 40%
- Full power for no more than 1 hour out of each 12 hours of operation. The remaining operation time must be at or below cruising speed

TRANSMISSIONS

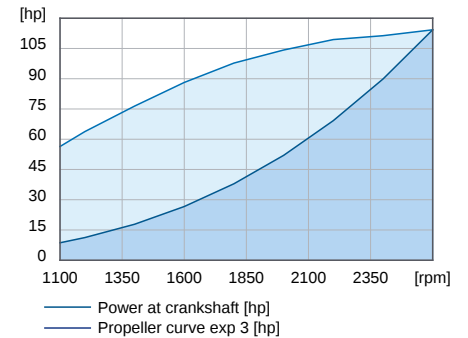
Shaft line

- TM345
- TM345A
- TTM40A
- TTMC5A
- ZF25
- ZF25A26
- ZF45A

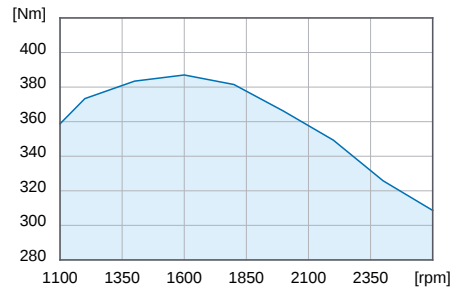
Contact your local dealer for more details and availability for transmission model and type.

PERFORMANCE CURVES

Power at crankshaft

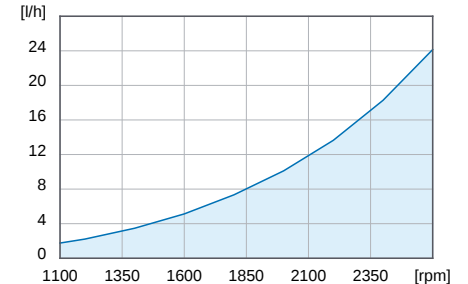


Torque at crankshaft

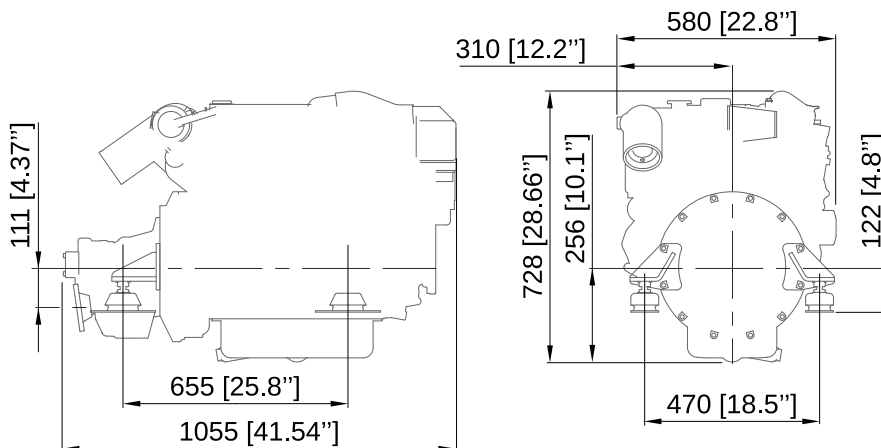


Fuel consumption

At calculated propeller load exp 3



DIMENSIONS WITH TM345A



Nanni Diesel Australia

26/17-21 Bowden Street
Alexandria, NSW. 2015
Tel: +61 (0)2 9319 5222
engines@nannidiesel.com.au

Technical data according to ISO 8665. Specifications are subject to change without notice. Images and illustrations may show non standard equipments. All combination of equipment & accessory are not available.

120914-ENG